

# IPFX-D40V-IRB2

4MP Starlight Varifocal Dome Network Camera



- 1/ 2.7" 4 Megapixel progressive CMOS
- H.265 & H.264 triple-stream encoding
- Outputs max. 4MP (2688 × 1520)@30 fps
- WDR(120dB), Day/Night(ICR), 3DNR, AGC, BLC
- Perimeter Protection, Intelligent Motion Detect
- 2.7~13.5mm motorized varifocal lens
- Starlight Support, Max IR LEDs Length 131ft
- Micro SD support up to 256GB, IP67, IK10, PoE
- Made in South Korea and conforms to the Trade Agreements Act (TAA).

## System Overview

The IPFX-D40V-IRB2 is a 4MP dome camera featuring our latest generation of 1/ 2.7" CMOS sensors. It adopts our IK10 vandal proof dome style housing, and features Starlight supported IR illumination up to ~131'. The camera also includes H.265 encoding for optimized storage and enhanced IVS with Perimeter protection and Intelligent Motion Detect which helps filter human and vehicle target objects.

The camera also features a motorized, 2.7mm-13.5mm lens which offers up a 28-104 degree horizontal field of view. The zoom level is fully controllable directly from the camera interface, enabling you to obtain the perfect shot. This makes the camera well suited for exterior applications on commercial as well as residential installations.

Made in South Korea and conforms to the Trade Agreements Act (TAA).

## Functions

### Smart(H.265+ & H.264+)

Deliver high quality video without straining the network, Smart H.265+ is the optimized implementation of H.265. The Smart H.265+ encoding technology includes a scene adaptive encoding strategy, dynamic GOP, dynamic ROI, flexible multi-frame reference structure and intelligent noise reduction, providing saving of up to 70% of bandwidth and storage when compared with standard H.265

### Wide dynamic range (WDR)

The camera achieves vivid images, even in the most intense contrast lighting conditions, using industry-leading wide dynamic range (WDR) technology. For applications with both bright and low lighting conditions that change quickly, true WDR (120 dB) optimizes both the bright and dark areas of a scene at the same time to provide usable video.

### IMD (Intelligent Motion Detect)

This is an upgraded version of motion detection currently known as Intelligent Motion Detection (iMD). The upgraded Plus version greatly improves alarm accuracy by pre-loading a deep learning algorithm that recognizes people and vehicles. Motion detection alerts containing a human and/or vehicle intrusion event are now possible with up to 95% accuracy. Eliminate false alarms, save time and keep stress levels low knowing you're protected.

### Starlight

For challenging low-light applications, Starlight Ultra-low Light Technology offers best-in-class light sensitivity, capturing color details in low light. The camera uses a set of optical features to balance light throughout the scene, resulting in clear images in dark environments.

### Perimeter Protection

IC Realtime's Perimeter Protection features significantly improve detection accuracy. The benefits of Perimeter Protection include up to a 90% reduction in false alarms. Other advantages include a decrease in pixel count requirement for object detection, which translates into more efficiency with less strain on the system. Perimeter Protection options let you customize tripwires based on the object type and allow intelligent automation within a limited area of access such as pedestrian or vehicle-only zones. The combination of advanced AI analytics and real-time alerts maximizes efficiency & balance of the total systems capacity and resources resulting in greater surveillance system efficiency.

### Protection (IP67, IK10, wide voltage)

The camera allows for  $\pm 25\%$  input voltage tolerance, suitable for the most unstable conditions for outdoor applications. Its 2KV lightning rating provides effective protection for both the camera and its structure against lightning. Subjected and certified to rigorous dust and immersion tests (IP67) and impact tests (IK10), The camera complies with an IK10 impact rating making it capable of withstanding the equivalent of 11.02 lbs (5 kg) of force dropped from a height of 15.75 in. (40 cm)

## Technical Specification

### Camera

Image Sensor	1/2.7"4 Megapixel progressive CMOS
Effective Pixels	2688(H) x1520(V)
RAM/ROM	512MB/128MB
Scanning System	Progressive
Electronic Shutter Speed	Auto/Manual 1/3 s-1/100000 s
Minimum Illumination	0.005 Lux@F1.5 (Color, 30IRE) 0.0005 Lux@F1.5 (B/W, 30IRE) 0 Lux (Illuminator on)
IR Distance	Distance up to 131.23 ft (40 m)
IR On/Off Control	Auto / Manual
IR LEDs	2

### Lens

Lens Type	Motorized vari-focal				
Mount Type	φ14				
Focal Length	2.7mm~13.5mm				
Max. Aperture	F1.5				
Angle of View	Pan: 104°-27° Tilt: 55°-15° Diagonal: 124°-31°				
Optical Zoom	5x				
Close Focus Distance	2.62 ft-2.62 ft (0.8 m-0.8 m)				
DORI Distance	Lens	Detect	Observe	Recognize	Identify
	W	210 ft	84 ft	42 ft	21 ft
	T	728ft ft	291 ft	145 ft	72 ft

### Pan/Tilt/Rotation

Pan/Tilt/Rotation Range	Pan:0° ~355° ;Tilt:0° ~75° ;Rotation:0° ~355°
-------------------------	---

### Intelligence

General IVS	Tripwire; Intrusion, fast moving, loitering detection, parking detection and people gathering
Perimeter Protection	Tripwire, Intrusion (Recognition of vehicle and people),
Intelligent Motion Detect (iMD)	Motion detection alarm for human and vehicle. Filters misinformation such as leaves and light.

### Video

Compression	H.265; H.264; H.264H; H.264B; MJPEG
Streaming Capability	3 Streams
Resolution	4M (2688 × 1520); 3M (2304 × 1296); 1080p (1920 × 1080); 1.3M (1280 × 960); 720p (1280 × 720); D1 (704 × 576/704 × 480); VGA (640 × 480); CIF (352 × 288/352 × 240)
Frame Rate	Main Stream (2688 × 1520@1-25/30 fps) Sub Stream (704 × 576@1-25/30 fps) Third Stream (1280 × 720@1-25/30 fps)
Bit Rate Control	CBR/VBR
Bit Rate	H.264: 3 Kbps-8192 Kbps H.265: 3 Kbps-8192 Kbps
Day/Night	Auto(ICR) / Color / B/W
BLC Mode	BLC / HLC / 120dB WDR
White Balance	Auto/natural/street lamp/outdoor/manual/regional custom
Gain Control	Auto / Manual
Noise Reduction	3D DNR

Motion Detection	Off / On (4 Zone, Rectangle)
Region of Interest	Off / On (4 Zone)
Smart IR	Support
Starlight	Support
Flip	0°/90°/180°/270° (Support 90°/270° with 1920 × 1080 resolution.)
Mirror	Off / On
Privacy Masking	Off / On (4 Area, Rectangle)

### Audio

Compression	G.711a; G.711Mu; G726; AAC
-------------	----------------------------

### Network

Ethernet	RJ-45 (10/100Base-T)
Protocol	IPv4;IPv6;HTTP;HTTPS;TCP;UDP;ARP;RTP;RTSP;RTCP;RTMP;SMTP;FTP;SFTP;DHCP;DNS;DDNS;QoS;UPnP;NTP;Multicast;ICMP;IGMP;NFS;PPPoE;802.1x;SNMP
Cyber Security	Video encryption; firmware encryption; configuration encryption; Digest; WSSE; account lockout; security logs; IP/MAC filtering; generation and importing of X.509 certification; syslog; HTTPS; 802.1x; trusted boot; trusted execution; trusted upgrade
Interoperability	ONVIF(Profile S/Profile G);CGI, Milestone
Streaming Method	Unicast / Multicast
Max. User Access	10 Users /20 Users
Edge Storage	NAS Local PC for instant recording Micro SD card 256GB
Web Viewer	IE, Chrome, Firefox, Safari
Management Software	SmartICRSS, DSS
Smart Phone	IOS, Android

### Certifications

Certifications	CFR FCC Part 15, Subpart B
----------------	----------------------------

### Interface

Audio In	1 channel (RCA port)
Audio Out	1 channel (RCA port)
Alarm In	1 channel in: 5mA 3V-5V DC
Alarm Out	1 channel out: 300mA 12V DC

### Electrical

Power Supply	DC12V, PoE (802.3af)(Class 0)
Power Consumption	<8.5W

### Environmental

Operating Conditions	-22° F ~ +140° F (-30° C ~ +60° C) / Less than 95% RH
Storage Conditions	-40° F ~ +140° F (-40° C ~ +60° C) / Less than 95% RH
Ingress Protection	IP67
Vandal Resistance	IK10

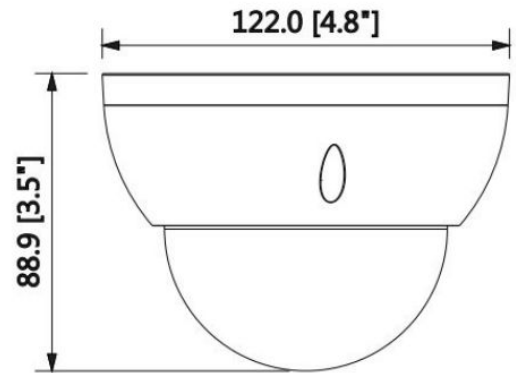
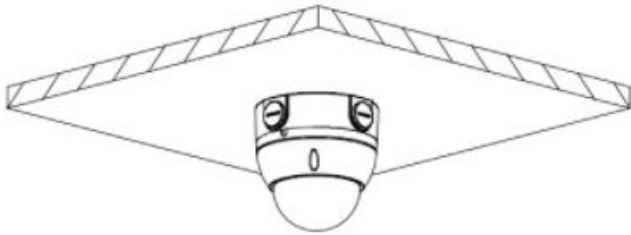
### Construction

Casing	Metal
Dimensions	4.80"x3.50" (122mmx88.9mm)
Net Weight	1.1 lb (492 g)
Gross Weight	1.5 lb (663 g)

Accessories

Dimensions (mm/in)

MNT-JUNCTIONBOX-7-B



MNT-IPMINIDOME-WALL-B

